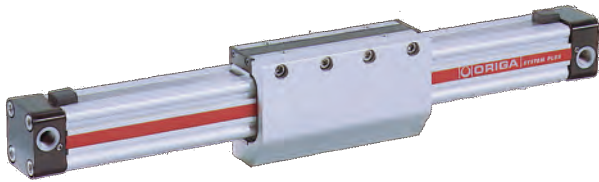


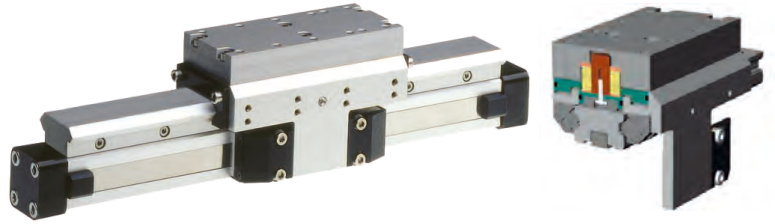
Active Brake

Brake by Compressed Air



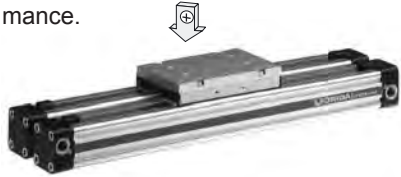
Passive Brake

Release by Compressed Air



DUPLEX CONNECTION

The duplex connection combines two OSP-P cylinders of the same size into a compact unit with high performance.



END-FACE AIR CONNECTION

To solve special installation problems.



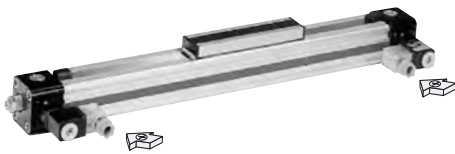
BOTH AIR CONNECTIONS AT ONE END

For simplified tubing connections and space saving.



INTEGRATED VOE VALVES

The complete compact solution for optimal cylinder control.



ACCESSORIES

PROXIMITY SENSORS TYPE RST AND EST

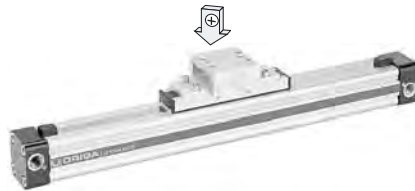
For electrical sensing of end and intermediate piston positions.



MOUNTINGS for OSP-P10 to P80

CLEVIS MOUNTING

Carrier with tolerance and parallelism compensation for driving loads supported by external linear guides.



END CAP MOUNTING

For end-mounting of the cylinder.



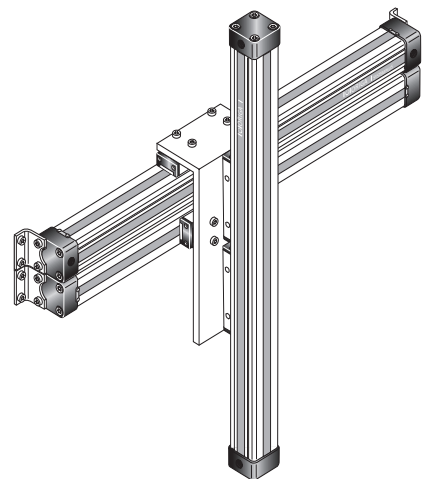
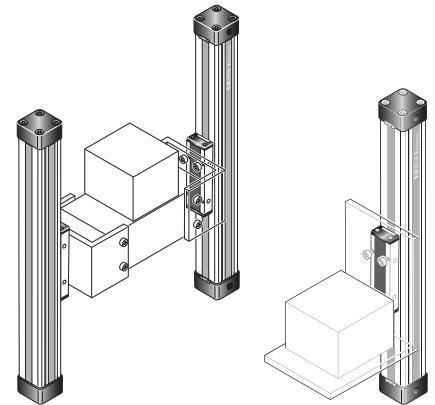
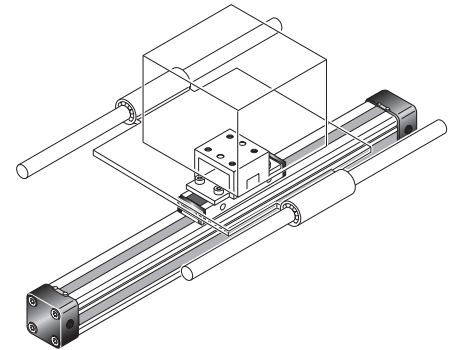
MID-SECTION SUPPORT

For supporting long cylinders or mounting the cylinder by its dovetail rails.



INVERSION MOUNTING

The inversion mounting, transfers the driving force to the opposite side, e. g. for dirty environments.



P1Z magnetic coupled



Linear Drive Accessories

Ø 16-80 mm

Clevis Mounting



For Linear-drive
• Series OSP-P

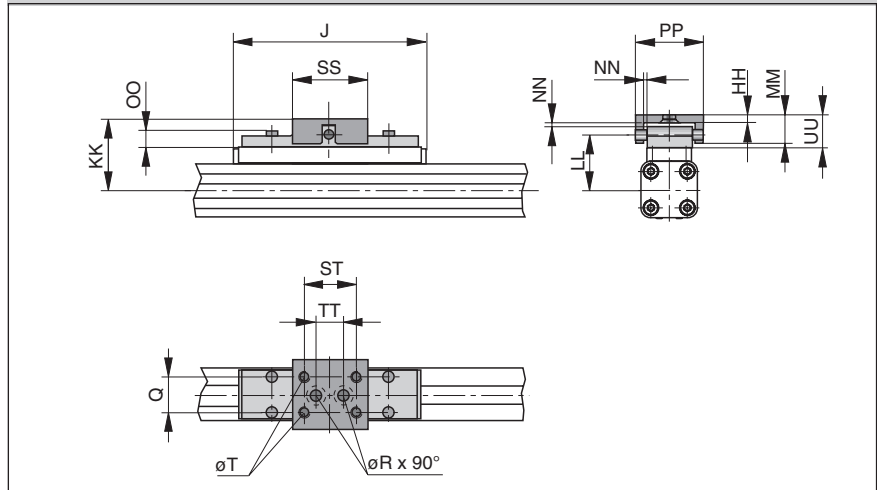
When external guides are used, parallelism deviations can lead to mechanical strain on the piston. This can be avoided by the use of a clevis mounting. In the drive direction, the mounting has very little play. Freedom of movement is provided as follows:

- Tilting in direction of movement
- Vertical compensation
- Tilting sideways
- Horizontal compensation

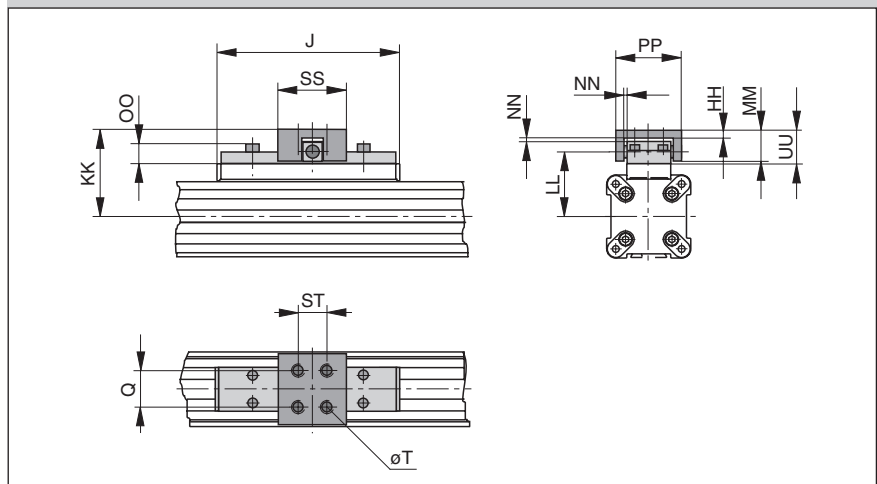
A stainless steel version is also available.



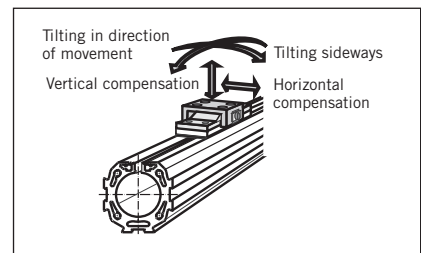
Series OSP-P16 to 32



Series OSP-P40 to 80



Please note:
When using additional inversion mountings, take into account the dimensions in data sheet 1.45.006E.



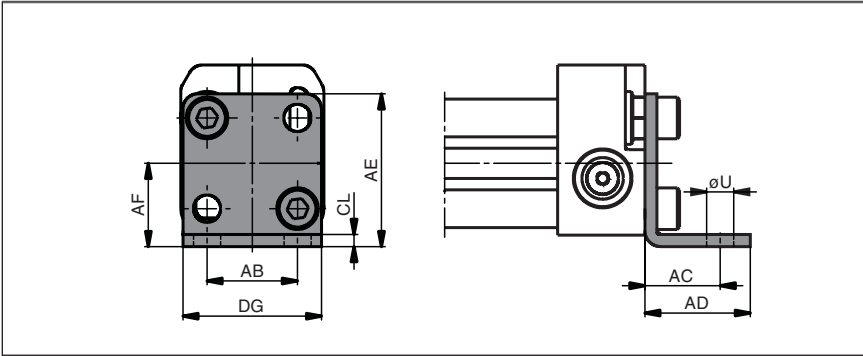
Dimension Table (mm)

Series	J	Q	T	ØR	HH	KK	LL	MM	NN*	OO	PP	SS	ST	TT	UU	Order No.	
																Standard	Stainless
OSP-P16	69	10	M4	4.5	3	34	26.6	10	1	8.5	26	28	20	10	11	20462	20463
OSP-P25	117	16	M5	5.5	3.5	52	39	19	2	9	38	40	30	16	21	20005	20092
OSP-P32	152	25	M6	6.6	6	68	50	28	2	13	62	60	46	40	30	20096	20094
OSP-P40	152	25	M6	-	6	74	56	28	2	13	62	60	46	-	30	20024	20093
OSP-P50	200	25	M6	-	6	79	61	28	2	13	62	60	46	-	30	20097	20095
OSP-P63	256	37	M8	-	8	100	76	34	3	17	80	80	65	-	37	20466	20467
OSP-P80	348	38	M10	-	8	122	96	42	3	16	88	90	70	-	42	20477	20478

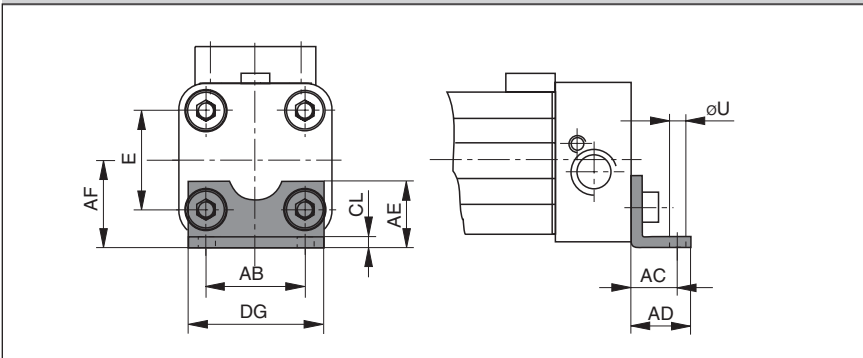
* Dimension NN gives the possible plus and minus play in horizontal and vertical movement, which also makes tilting sideways possible.



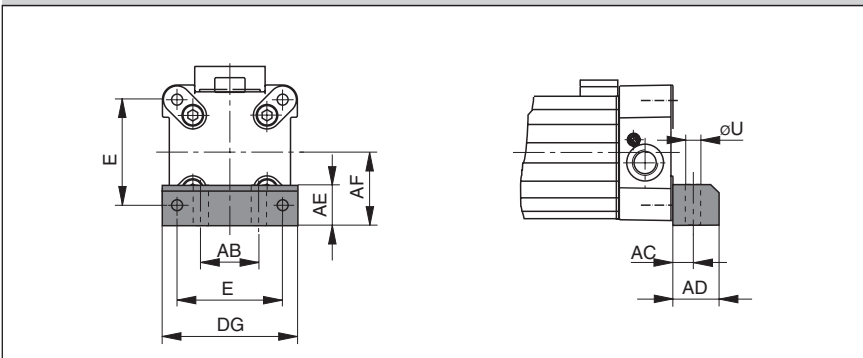
Series OSP-P10 : Type A1



Series OSP-P16 to 32: Type A1



Series OSP-P40 to 80: Type C1



Linear Drive Accessories

ø 10-80 mm

End Cap Mountings



For Linear-drive
• Series OSP-P

On the end-face of each end cap there are four threaded holes for mounting the actuator.

The hole layout is square, so that the mounting can be fitted to the bottom, top or either side, regardless of the position chosen for the air connection.

Material:
Series OSP-P10 – P32:
Galvanised steel.
Series OSP-P40 – P80:
Anodized aluminium.

The mountings are supplied in pairs.



Dimension Table (mm)

Series	E	ØU	AB	AC	AD	AE	AF	CL	DG	Order No. (*	
										Type A1	Type C1
OSP-P10	-	3.6	12	10	14	20.2	11	1.6	18.4	0 240	-
OSP-P16	18	3.6	18	10	14	12.5	15	1.6	26	20408	-
OSP-P25	27	5.8	27	16	22	18	22	2.5	39	2010	-
OSP-P32	36	6.6	36	18	26	20	30	3	50	3010	-
OSP-P40	54	9	30	12.5	24	24	38	-	68	-	4010
OSP-P50	70	9	40	12.5	24	30	48	-	86	-	5010
OSP-P63	78	11	48	15	30	40	57	-	104	-	6010
OSP-P80	96	14	60	17.5	35	50	72	-	130	-	8010

(* = Pair)



Linear Drive Accessories

∅ 10-80 mm

Mid-Section Support



For Linear-drive
• Series OSP-P

Note on Types E1 and D1
(P16 – P80):

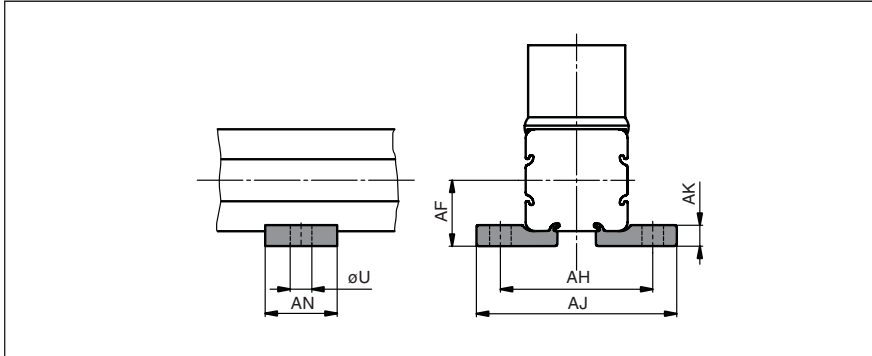
The mid-section support can also be mounted on the underside of the actuator, in which case its distance from the centre of the actuator is different.

For design notes, see data sheet
1.10.002E-2

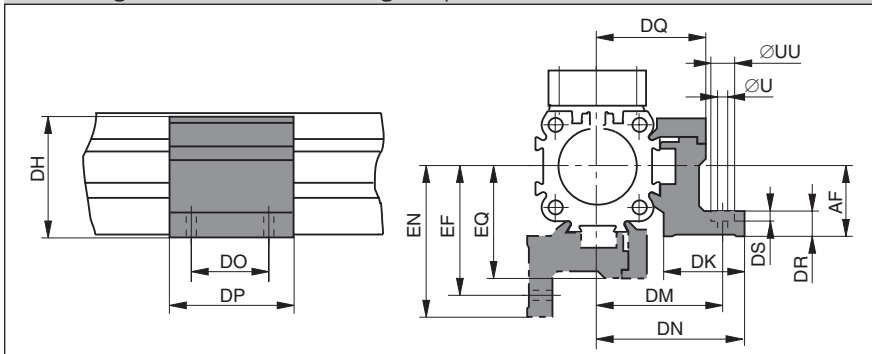
Stainless steel version on demand.



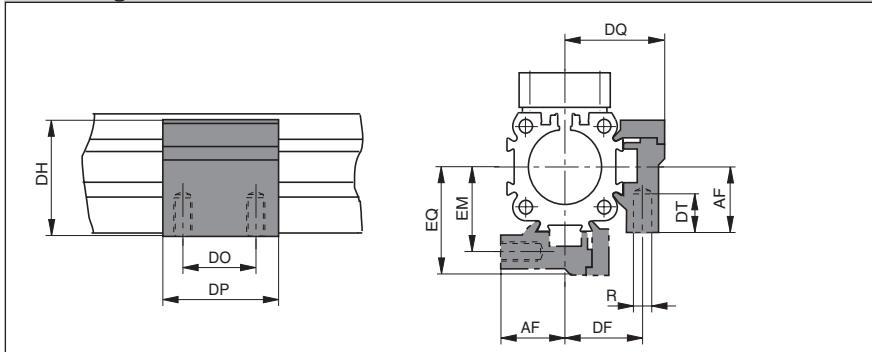
Series OSP-10, Type E1
(Mounting from above / below using a cap screw)



Series OSP-P16 to P80: Type E1
(Mounting from above / below using a cap screw)



Series OSP-16 to 80, Type D1
(Mountings from below with 2 screws)



Dimension Table (mm) Series OSP-P10

Series	U	AF	AH	AJ	AK	AN	Order No.	
							Type E1	Type D1
OSP-P10	3.6	11	25.4	33.4	3.5	12	0250	-

Dimension Table (mm) – Series OSP-P16 to P80

Series	R	U	UU	AF	DF	DH	DK	DM	DN	DO	DP	DQ	DR	DS	DT	EF	EM	EN	EQ	Order No.	
																				Type E1	Type D1
OSP-P16	M3	3.4	6	15	20	29.2	24	32	36.4	18	30	27	6	3.4	6.5	32	20	36.4	27	20435	20434
OSP-P25	M5	5.5	10	22	27	38	26	40	47.5	36	50	34.5	8	5.7	10	41.5	28.5	49	36	20009	20008
OSP-P32	M5	5.5	10	30	33	46	27	46	54.5	36	50	40.5	10	5.7	10	48.5	35.5	57	43	20158	20157
OSP-P40	M6	7	-	38	35	61	34	53	60	45	60	45	10	-	11	56	38	63	48	20028	20027
OSP-P50	M6	7	-	48	40	71	34	59	67	45	60	52	10	-	11	64	45	72	57	20163	20162
OSP-P63	M8	9	-	57	47.5	91	44	73	83	45	65	63	12	-	16	79	53.5	89	69	20452	20451
OSP-P80	M10	11	-	72	60	111.5	63	97	112	55	80	81	15	-	25	103	66	118	87	20482	20480



Linear Drive Accessories

Ø 10 – 320 mm

Magnetic Switches



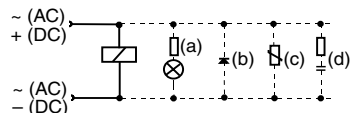
Type **RST**
EST

The next generation of T-slot switches is appealing due to its ease of attachment without the use of special tools. Due to the new electronics, the hysteresis is especially narrow, allowing for a highly accurate switching point.

Connection Examples

Load with protective circuits

- (a) Protective resistor for light bulb
- (b) Freewheel diode on inductivity
- (c) Varistor on inductivity
- (d) RC element on inductivity

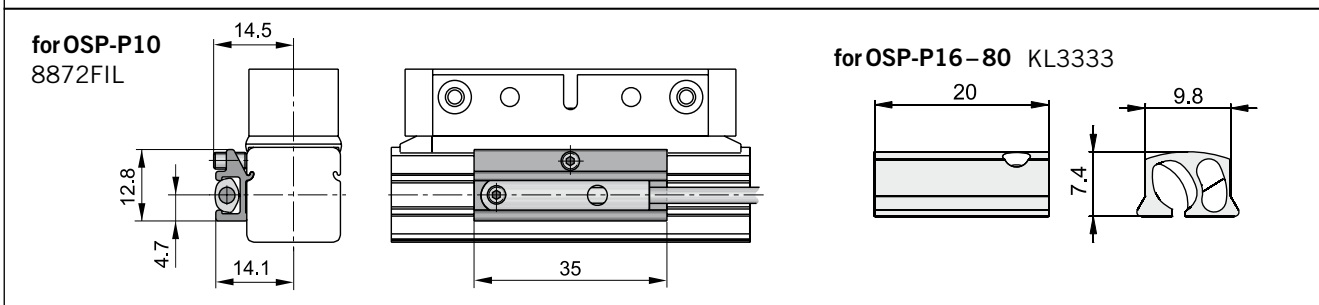
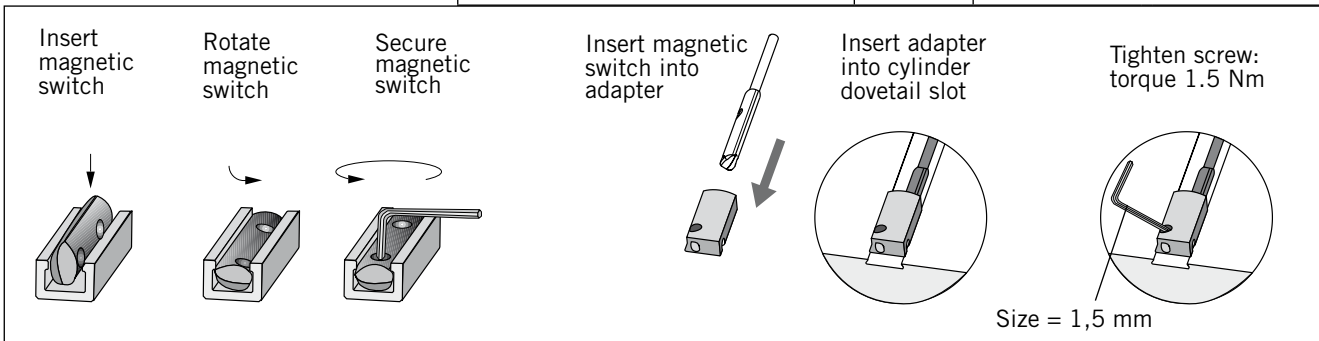


For the type ES, external protective circuits are not normally needed.

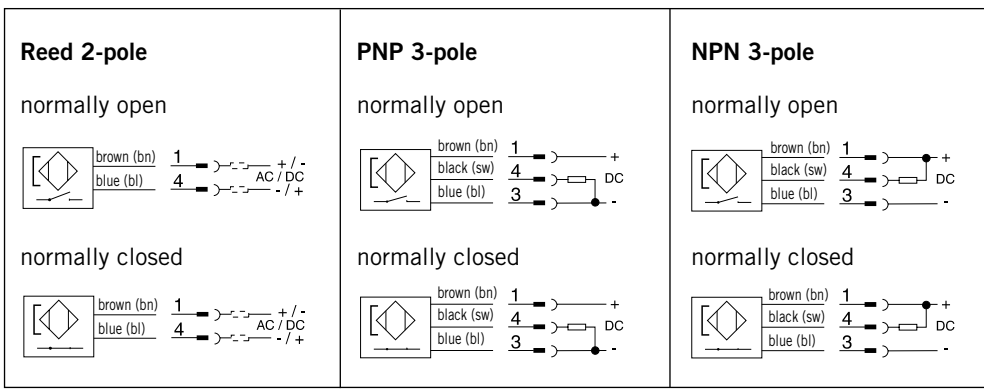
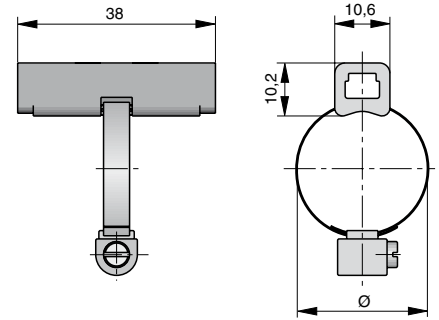
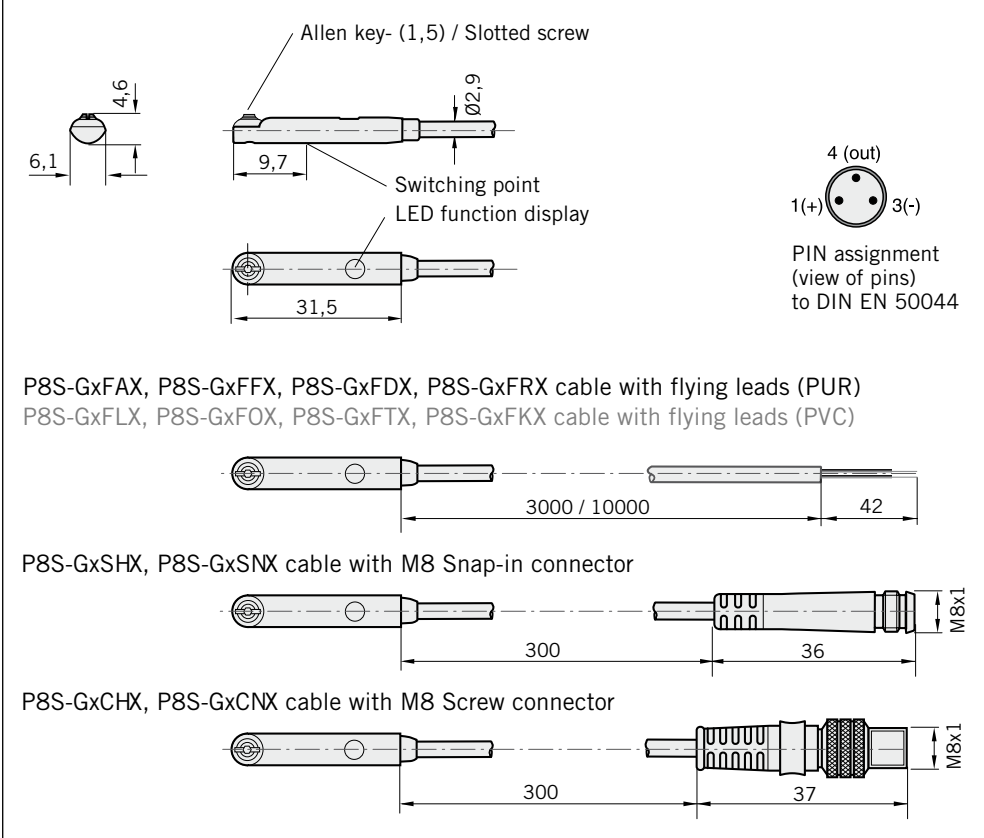
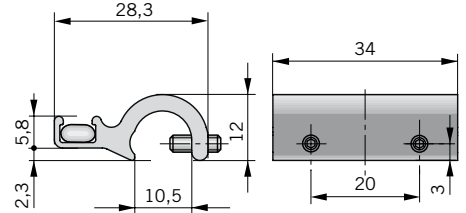
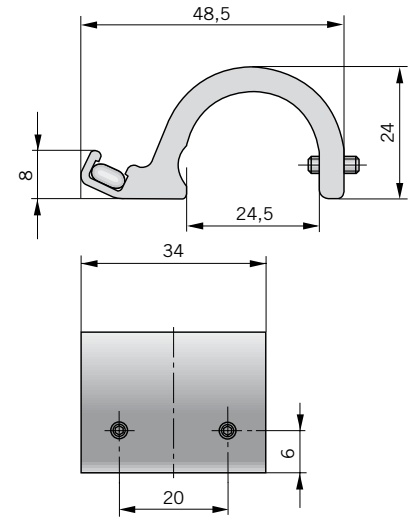
$$\text{Minimum response time} = \frac{\text{Switching distance}}{\text{Overrun speed}}$$



Characteristics		RST P8S-GR/GE P8S-GS/GC	EST P8S-GP/GQ P8S-GN/GM
Characteristics	Unit	Description	
Electrical Characteristics			
Switching output /-function		Reed NO/NC	PNP NO/NC NPN NO/NC
Electrical configuration		2-wire	3-wire
Display LED yellow		yes (not Reed NC)	
Operating voltage U_b	V	10-30 AC/DC	10-30 DC
Ripple of U_b	%	≤ 10	≤ 10
Voltage drop	V	≤ 3	≤ 2
Power consumption @ $U_b = 24$ V switched on, without load	mA	-	≤ 10
Permanent current	mA	≤ 500	≤ 200
Breaking capacity	W	≤ 6	-
Switchable capacity load @ 100 W @ 24 VDC	nF	100	-
Switching frequency	Hz	≤ 400	≤ 1,000
Time delay before availability (on/off)	ms	1.5/0.5	0.5/0.5
Repeatability	mm	≤ 0.2	≤ 0.2
Switching distance	mm	approx. 15	approx. 15
Hysteresis	mm	2	2
EMC following EN 60947-5-2		yes	yes
Lifetime		≥ 20 x 10 ⁶ cycles	unlimited
Short-circuit protection		-	yes
Reverse polarity prot.		-	yes
Power-up pulse suppression		-	yes
Protection for inductive load		-	yes
ATEX -Certification		-	on request
Mechanical Characteristics			
Housing		PA12	
Cable type		PUR/black	
Cable cross section	mm ²	2 x 0.14	3 x 0.14
Bending radius fixed	mm	≥ 30	
Bending radius moving	mm	≥ 45	
Ambient			
Protection class to EN 60529	IP	68	
Ambient temperature range 1)	°C	-30 to +80	
Vibration to EN 60068-2-6	G	30, 11 ms, 10 to 55 Hz, 1 mm	
Shock to EN 60068-2-27	G	50, 11 ms	



Note for OSP-P10: Switches can not be mounted directly opposite of the carrier !


Mounting for T-slot switch KL9191(20-25) for Cylinder Series R Ø10-63 mm

Dimensions (mm) - Type RST, EST - Series P8S

Mounting for T-slot switch PD48955 for Cylinder Series AZZ Ø32-100 mm

Mounting for T-slot switch PD48956 for Cylinder Series DZ Ø125-320 mm

Order Number

Magnetic Sensors for all ORIGA Products (except OSP-E..STR)					10-120 AC/DC	10-240 AC/DC	ATEX II 3GD*
	SNAP-in 0,3m	SCREW 0,3m	F.Leads 3m	F.Leads 10m	F.Leads 10m	F.Leads 10m	F.Leads 3m
Reed NO (2-wire)	P8S-GRSHX	P8S-GRCHX	P8S-GRFAX	P8S-GRFDX		P8S-GRFDX2	
Reed NC (2-wire, no LED)	P8S-GESNX	P8S-GECNX	P8S-GEFFX	P8S-GEFRX	P8S-GEFRX1		
PNP NO	P8S-GPSHX	P8S-GPCHX	P8S-GPFAX	P8S-GPFDX			P8S-GPFLX/EX
PNP NC	P8S-GQSHX	P8S-GQCHX	P8S-GQFAX	P8S-GQFDX			
NPN NO	P8S-GNSHX	P8S-GNCHX	P8S-GNFAX	P8S-GNFDX			P8S-GNFLX/EX
NPN NC	P8S-GMSHX	P8S-GMCHX	P8S-GMFAX	P8S-GMFDX			

Magnetic Sensors for OSP-E..STR (low sensitivity)

Reed NO (2-wire), S-slot, flying leads, 5 m	KL3096
Reed NC (2-wire), S-slot, flying leads, 5 m	KL3388
PNP NO (3-wire), S-slot, M8 connector, 100 mm	KL3098

Magnetic Sensor Set for OSP-E..BV

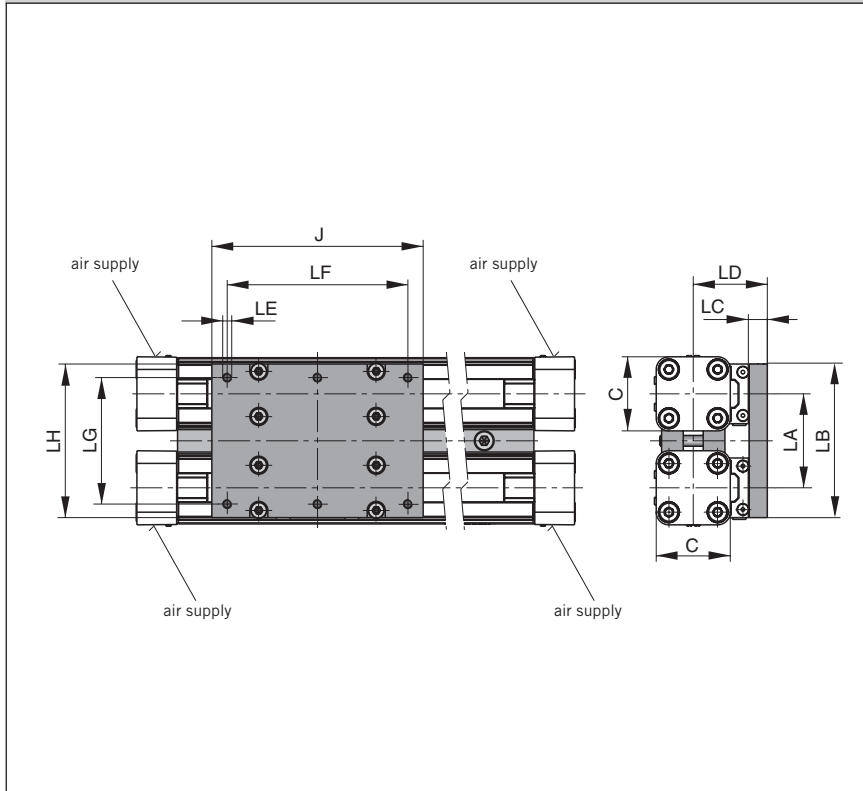
2 sensors, Reed NC (2-wire), 1 mounting rail, 2 magnets	18210
---	-------

Connection Cables suitable for cable chain

M8 Plug with 5 m cable	KL3186
M8 Plug with 10 m cable	KL3217
M8 Plug with 15 m cable	KL3216

 II 3G Ex nA op is IIC T4 Gc X
 II 3D Ex tc IIIC T135° C Dc IP67 X


Dimensions



Linear Drive Accessories

∅ 25-50 mm Duplex Connection

OSP
ORIGA
SYSTEM
PLUS

For connection of cylinders of the Series OSP-P

The duplex connection combines two OSP-P cylinders of the same size into a compact unit with high performance.

Dimension Table (mm)

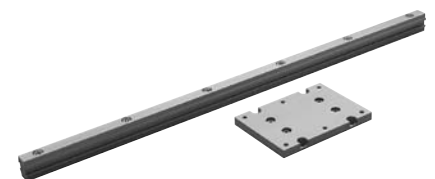
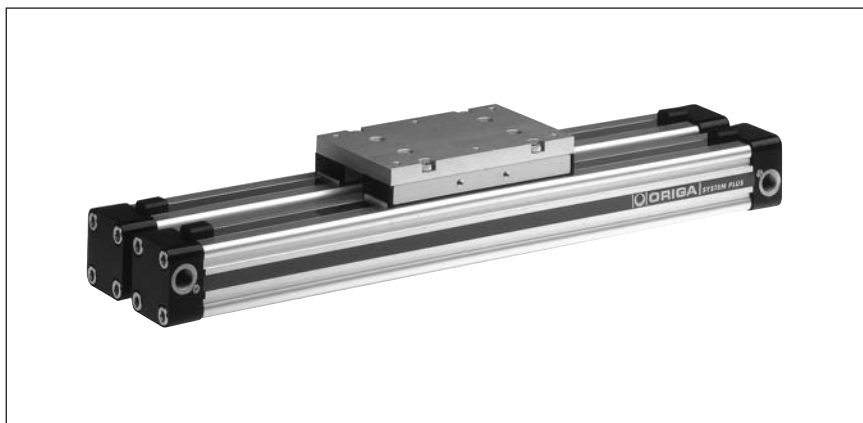
Cylinder Series	C	J	LA	LB	LC	LD	LE	LF	LG	LH	Order No.	
											Standard	Stainless
OSP-P25	41	117	52	86	10	41	M5	100	70	85	20153	20194
OSP-P32	52	152	64	101	12	50	M6	130	80	100	20290	20291
OSP-P40	69	152	74	111	12	56	M6	130	90	110	20156	20276
OSP-P50	87	200	88	125	12	61	M6	180	100	124	20292	20293

Features

- increased load and torque capacity
- higher driving forces

Included in delivery:

- 2 clamping profiles with screws
- 1 mounting plate with fixings



A1P705E00HAD00X

The right to introduce technical modifications is reserved

For rodless cylinders OSP-P see 1.10.002E

Data Sheet No. 1.45.011E

ORIGA

Linear Drive Accessories

∅ 25-50 mm Multiplex Connection



For connection of cylinders of the Series OSP-P

The multiplex connection combines two or more OSP-P cylinders of the same size into one unit.

Features

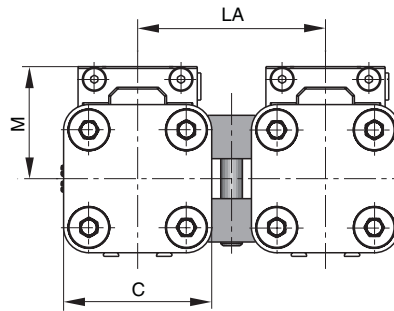
- The orientation of the carriers can be freely selected

Included in delivery:

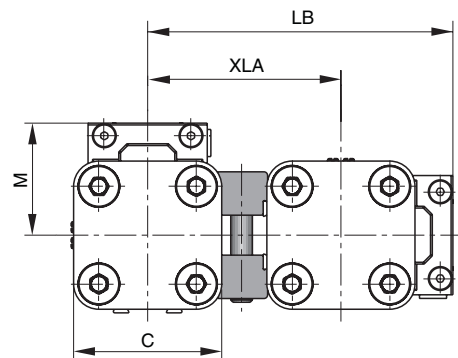
2 clamping profiles with clamping screws

Dimensions

Installation:
Top carrier/Top carrier

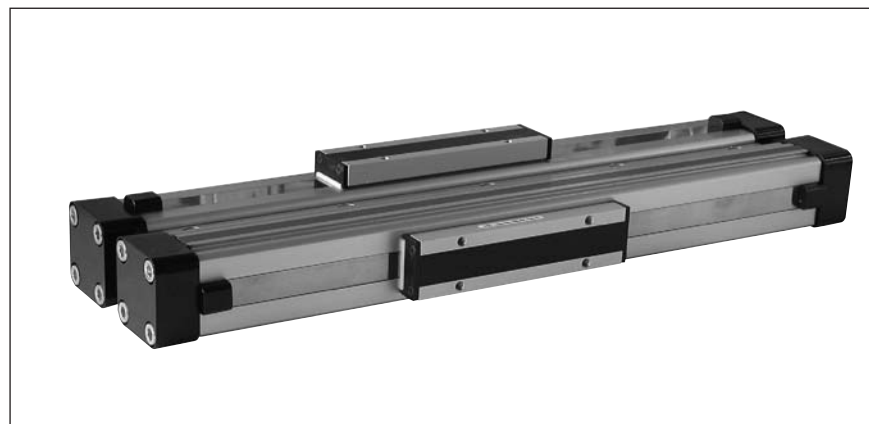


Installation:
Top carrier/Side carrier



Dimension Table (mm)

Cylinder Series	C	M	LA	LE	XLA	Order No.	
						Standard	Stainless
OSP-P25	41	31	52	84.5	53.5	20035	20193
OSP-P32	52	38	64	104.5	66.5	20167	20265
OSP-P40	69	44	74	121.5	77.5	20036	20275
OSP-P50	87	49	88	142.5	93.5	20168	20283



A1P706E00HAD00X

The right to introduce technical modifications is reserved



For rodless cylinders OSP-P see 1.10.002E